

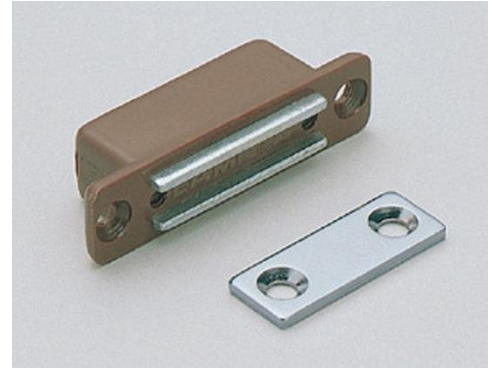
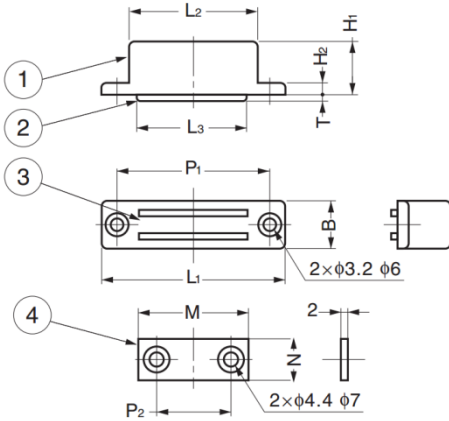
GMC-H Magnetic Catch

Features

- Sponge inside reduces noise when the door closed

Parts Included

- Countersunk head wood screw 2.9×13 (4 pcs)



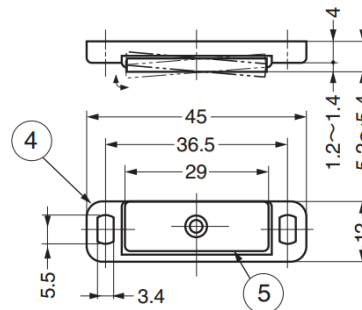
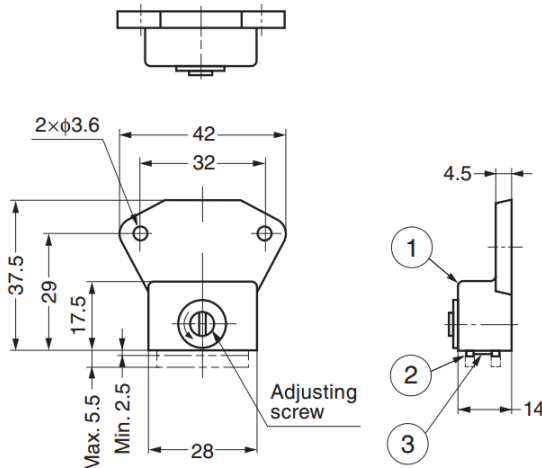
No.	Material	Finish/Colour
①	Polyamide (PA)	Brown
②	Steel (Yoke)	Yellow Zinc Chromate
③	Ferrite	—
④	Steel	Chrome

Part No.	L ₁	L ₂	L ₃	B	H ₁	H ₂	T	P ₁	M	N	P ₂	Magnetic Force	
GMC-HM	50	35	30	13	14.5	3.2	2	41.7	30	11.5	20	23.5 N	2.4 kg
GMC-HL	60	42	38	15.5	17	4.3	2.5	50.8	38	14	25	27.4	2.8 kg

GMC-7004 Magnetic Catch

Features

- Yoke position adjustable by 3 mm



No.	Material	Finish/Colour
①	ABS	White/Brown
②	Steel (Yoke)	Nickel
③	Ferrite	—
④	ABS	White/Brown
⑤	Steel	Nickel

Part No.	Colour	Magnetic Force	
GMC-7004W	White	19.6 N	2.0 kg
GMC-7004BR	Brown		